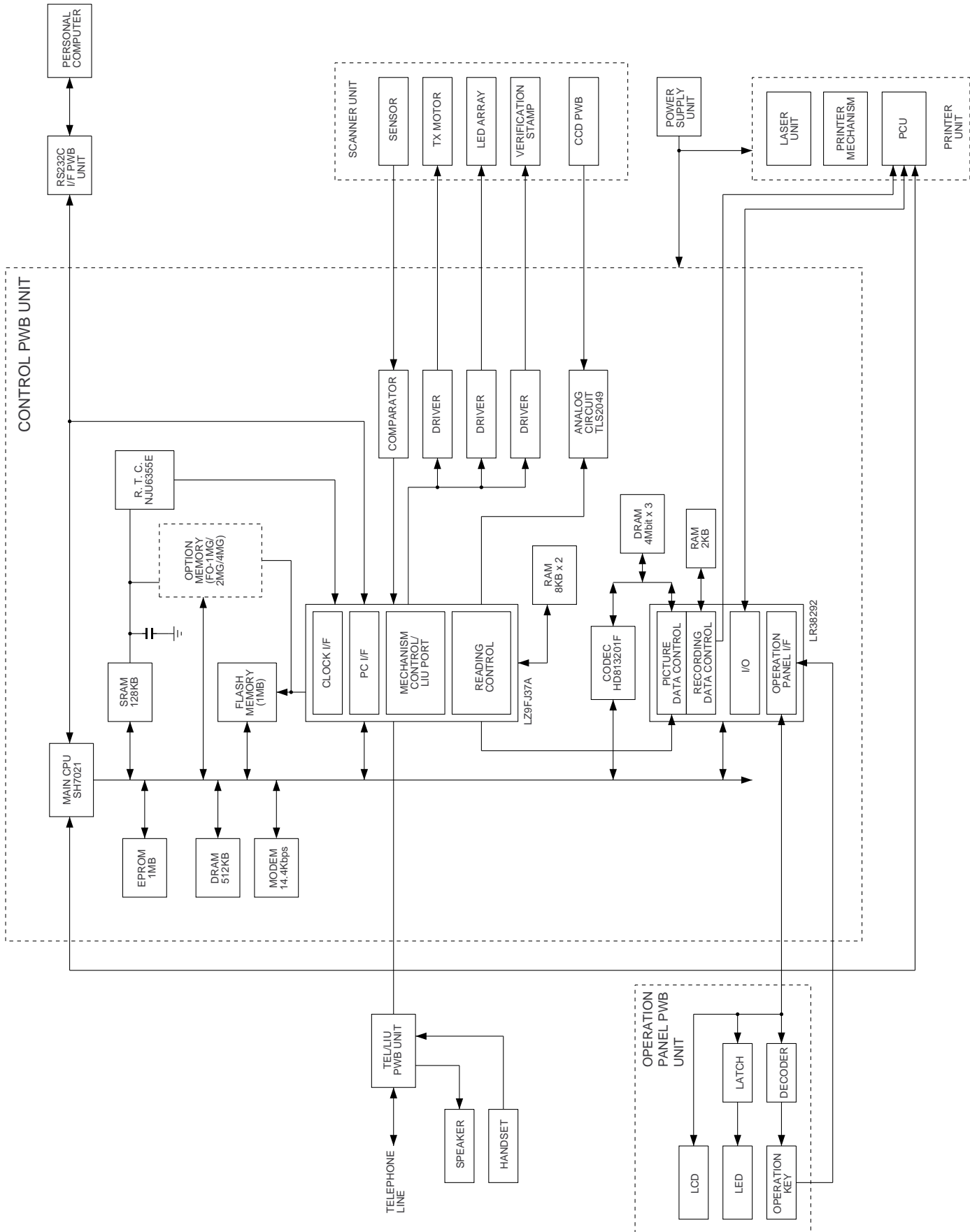
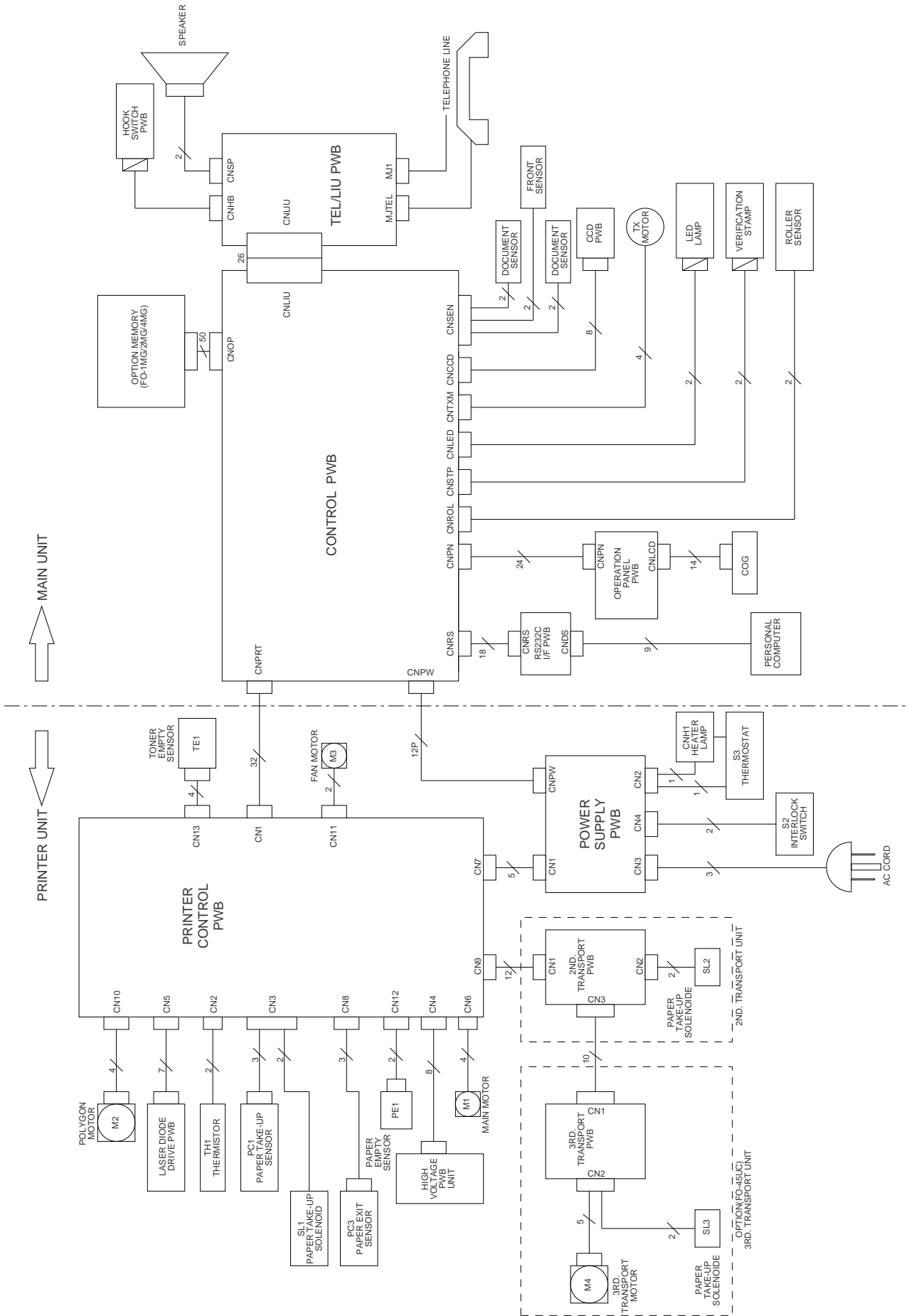


CHAPTER 4. DIAGRAMS

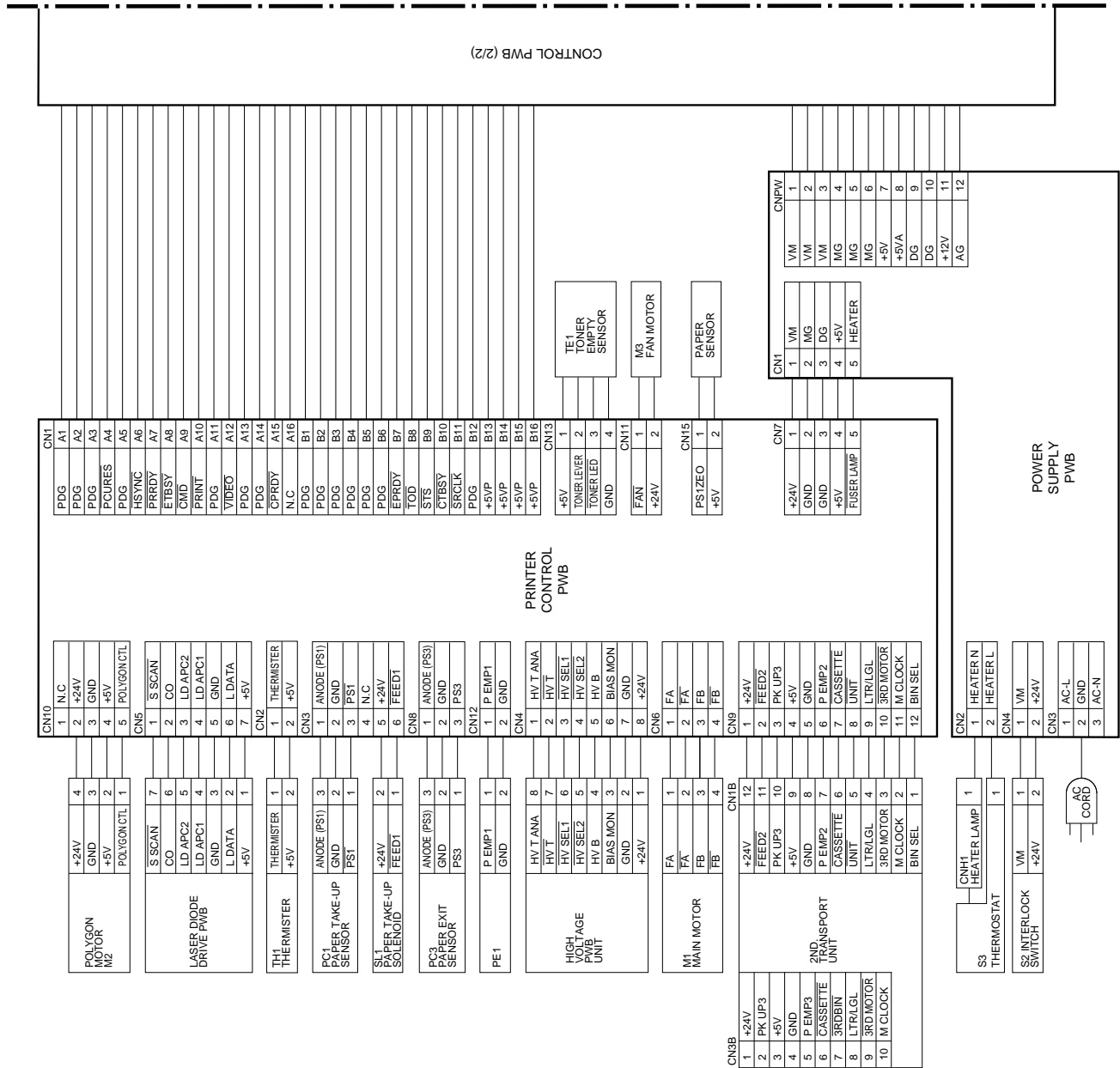
[1] Block diagram



[2] Wiring diagram



Point to point diagram and connector signal name (2)



MEMO